

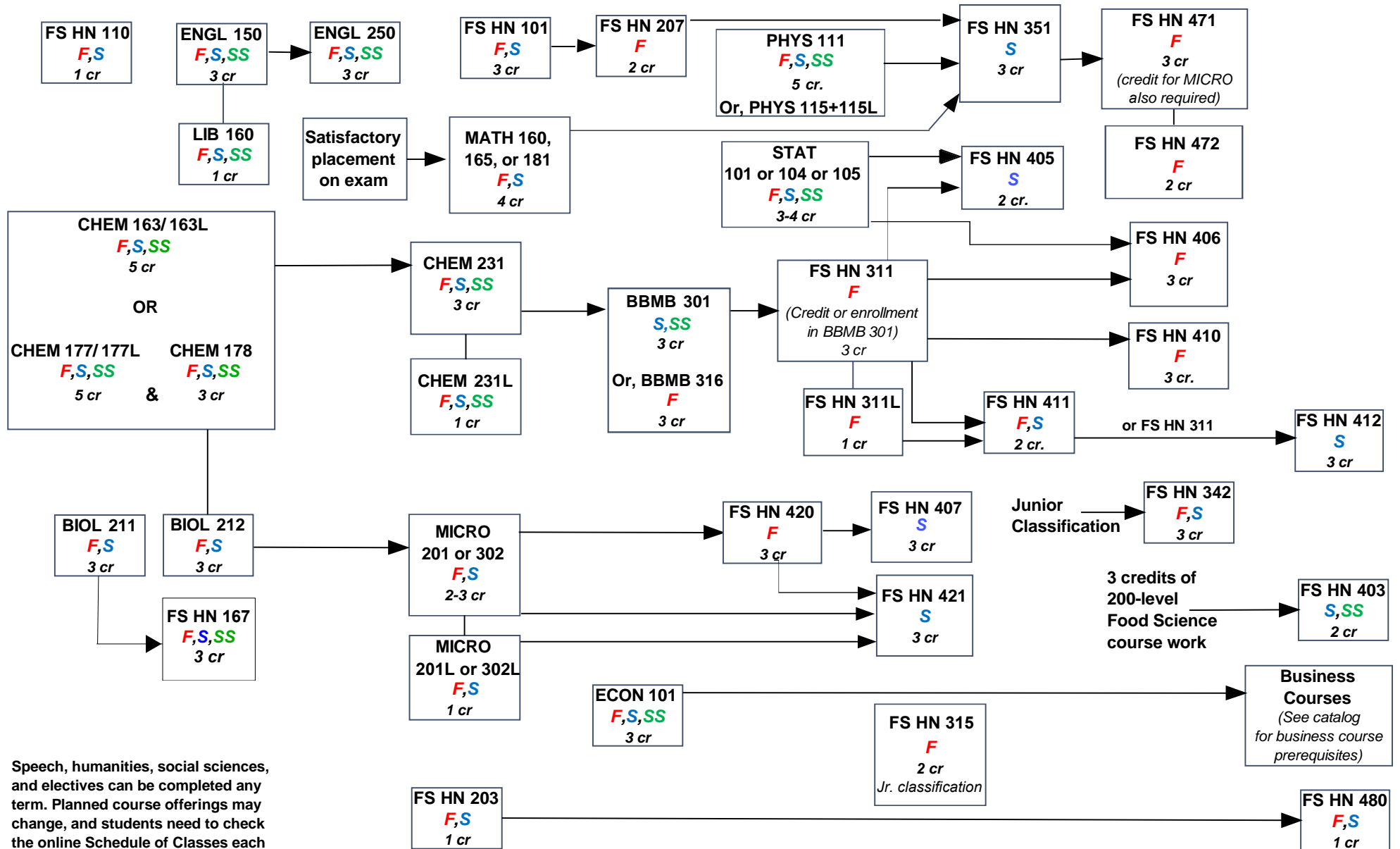
DEGREE PLANNING SHEET SHOWING COURSES REQUIRING PREREQUISITES

FOOD SCIENCE - INDUSTRY OPTION

*See 2018-2019 Catalog for all course requirements. Course Offerings: **F=Fall**, **S=Spring**, **SS=Summer**

All course requirements may be viewed at:

<http://www.fshn.hs.iastate.edu/undergraduate-programs/food-science/>



Speech, humanities, social sciences, and electives can be completed any term. Planned course offerings may change, and students need to check the online Schedule of Classes each term to confirm course offerings: <http://classes.iastate.edu>