

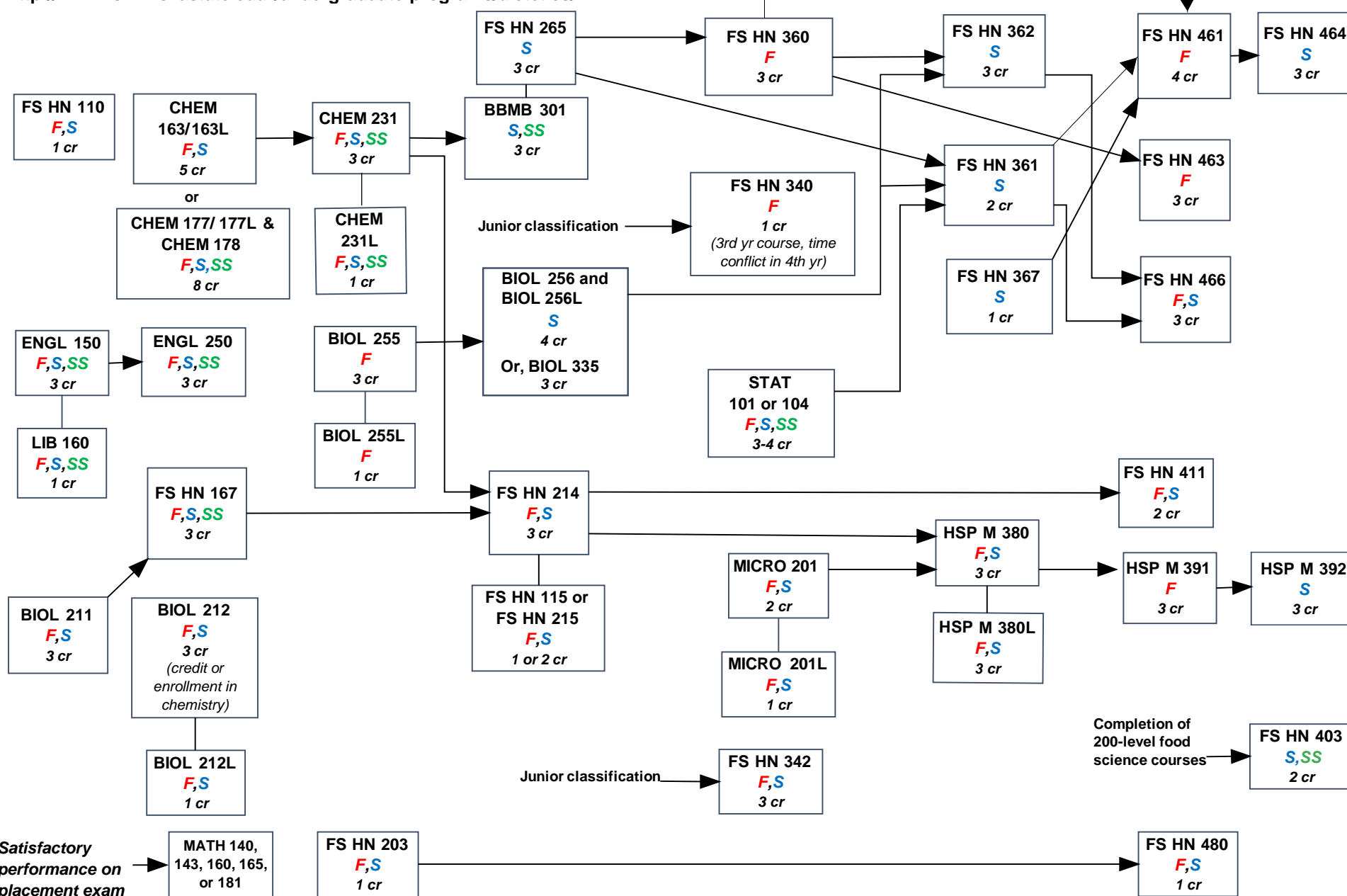
DEGREE PLANNING SHEET SHOWING COURSES REQUIRING PREREQUISITES

DIETETICS

*See 2018-2019 Catalog for all course requirements. Course Offerings: **F=Fall, S=Spring, SS=Summer**

All course requirements may be viewed at:

<http://www.fshn.hs.iastate.edu/undergraduate-programs/dietetics/>



Satisfactory performance on placement exam → MATH 140, 143, 160, 165, or 181

Speech, humanities, social sciences, and electives can be completed any term. Planned course offerings may change, and students need to check the online Schedule of Classes each term to confirm course offerings: <http://classes.iastate.edu>